

# BRANIFF

WATER SOLUTIONS

## Model

Dolphin EL ADA Toilet Rough in 10"

- TZ1035A020.B
- TQ1033A020.B

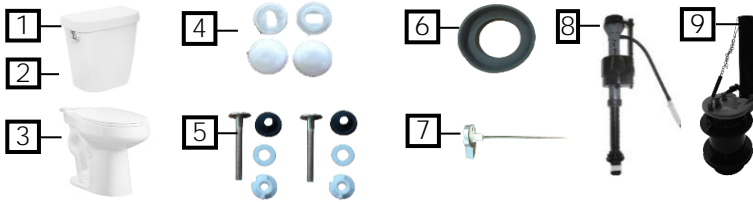
TOILET

## | Features

- Toilet Style: Two-Piece Toilet
- Color: White
- Material: Vitreous China
- Flushing System: LH-Side Lever
- Operation: Siphon Jet
- High-Efficiency Toilet: 1.28 gpf / 4.8 lpf
- Average Weight: 81.17 lbs
- Average Height: 32 ½"
- Water Surface: 7" x 9 ¾ "
- Flushes: 800 grams of solids  
(Internal Braniff Lab)
- Trapway Diameter: 2" Fully Glazed Trapway
- Working Pressure: 20 lbs/in<sup>2</sup> to 80 lbs/in<sup>2</sup>
- Bowl Shape: Slow Close: 190 Toilet Seat  
Normal Close: 7900 Toilet Seat
- Compatible with BEMIS:



## | Components



#	Description	Code	QTY
1	Tank Cover	C1C02A	1
2	Tank	T6302A	1
3	Bowl	B4602A	1
4	Cover screws	280122822	1
5	Fixing kit	N/A	1
6	Gasket 3"	208125207	1
7	Handle	280122963	1
8	Fill valve	280122846	1
9	Flush valve	280122957	1

\* Seat Not Included

## | Specifications

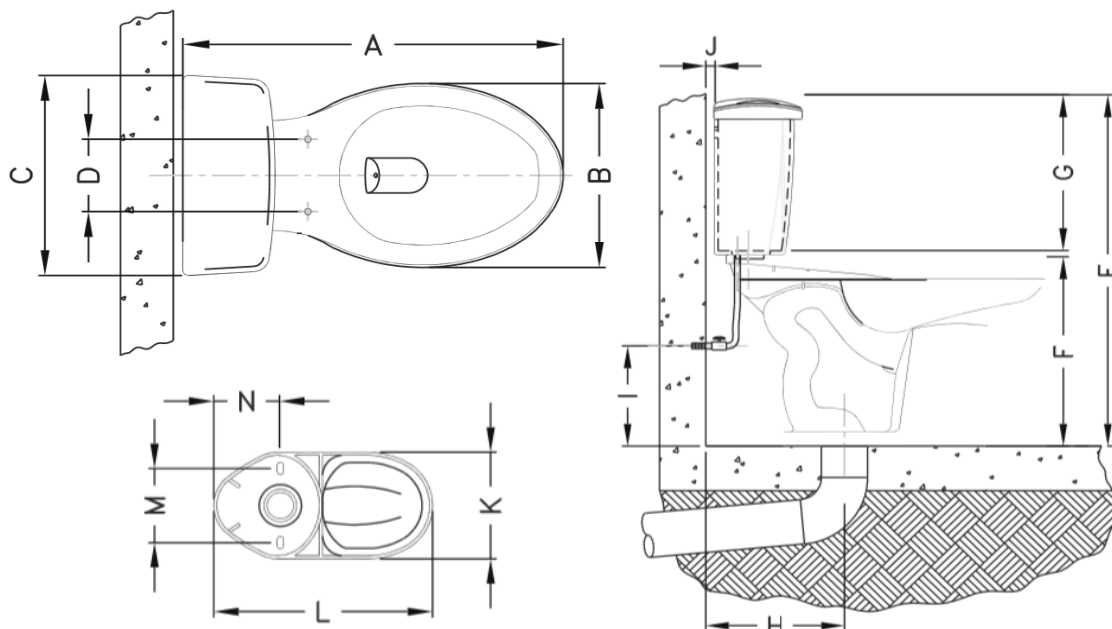
- ASME A112.19.2-2018/CSA B45.1-18
- EPA WaterSense High Efficiency Toilets



10 Years Warranty on Vitreous China |

## | Technical Data

Section	Measures
A	29 "
B	15 "
C	15 <sup>5</sup> / <sub>8</sub> "
D	5 <sup>1</sup> / <sub>2</sub> "
E	32 <sup>1</sup> / <sub>2</sub> "
F	16 <sup>3</sup> / <sub>4</sub> "
G	15 "
H	10 "
I	9 <sup>1</sup> / <sub>2</sub> "
J	<sup>1</sup> / <sub>2</sub> "
K	9 "
L	19 "
M	6 "
N	4 <sup>1</sup> / <sub>4</sub> "



\* Dimension tolerance of  $\pm 5\%$

## | Instalation

Clean the installation area and make sure the distances are correct. Turn bowl upside down on cloth and place wax ring, carefully align and lower bowl over floor flange and floor mounting bolts. Assemble snap-on base and place the metallic washers and tighten nuts. And finally set the tank onto the bowl using tank bolts, place the plastic washers and hand tighten wing nuts.

## | Fittings

Fill Valve:	Fluid Master	Model:	400
Flush Valve:	Fluid Master	Model:	540A

## | Recomendations

- Before connecting to the hydraulic network, verify that the distance between the wall and the toilet discharge coincide with the entrance of the hydraulic network.
- The toilet is fragile and may break during manipulation, use gloves are recommended during installation.
- Don't use chlorine cleaning tablets in the tank, this can damage the valves.
- Use antifungal silicone sealant for the joints of the toilet with the floor, don't use cement or adhesive plaster.
- When installing the fixing screws, take care not to exceed the tightening force of the nuts, as this can break the toilet.
- Hand tighten the supply hose (not included) to the tank, if there is any leak, lightly tighten with a tool, do not use any type of sealant in the joints.

## | Maintenance

- Clean the surface with a water-damped cloth.
- Never use cutting items, fibers, sandpapers, detergents, solvents, liquids or abrasive powders to clean the bowl.

## | Warranty

All products commercialized by BRANIFF are designed, manufactured and tested accordingly to our quality system and to international standards if any manufacturing or workmanship defect were to be presented on the product and corroborated by BRANIFF, it will be replace it without cost to buyer. Finishes are warranted against manufacturing defects for 10 (ten) years on vitreous china and 1 (one) year on moving parts and accesories.

10 Years Warranty on Vitreous China |

